

CaBano

#6068

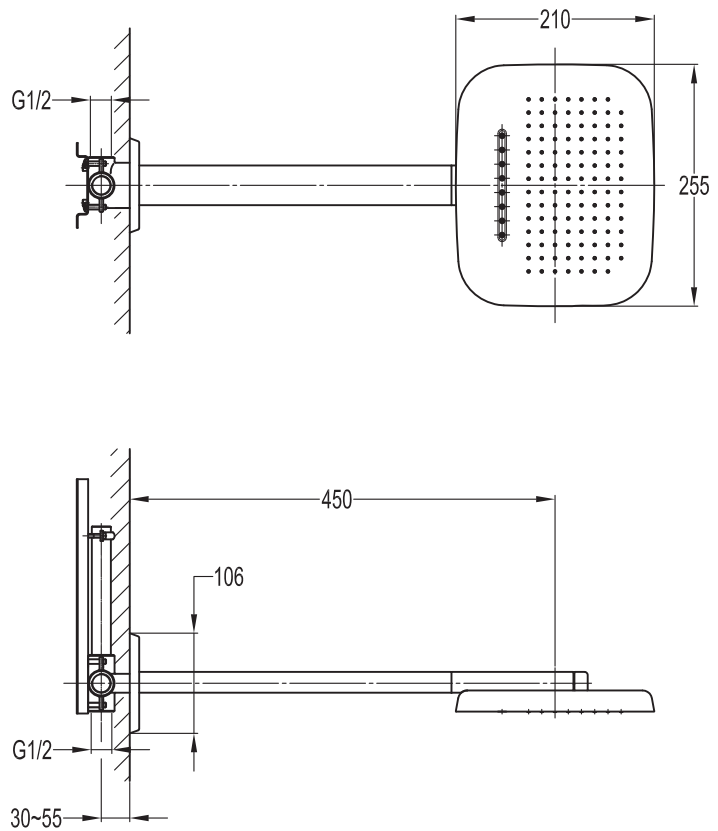
Generation wall mount rain head

INSTALLATION GUIDE



Last revision: October 23rd

III Installation Diagram:



I. Installation Notice:

1. Install water supply lines in accordance with this manual.
2. Floor drain should be installed on the site.
3. Except the shower holder, all the exposed parts of the product must be installed only after the completion of house interior decoration in case paint or other chemicals erode the product surface. Before that, the protective sheath on the shower holder can not be taken off.
4. Clean pipes to get rid of mud, sand or other debris in pipes before installation.
5. Check whether the threads can be matched. Otherwise, install forcefully will damage the components.
6. After installation, check all the joints to make sure they are firmly connected. Then keep water flow. Turn on and off repeatedly to ensure there is no leakage around the joints. After that, the product is ready for normal use.
7. Hand the manual to the user.

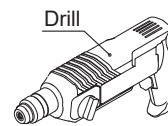
II. Operation Notice:

1. The product is used under water pressure 0.1~0.5MPa, water temperature 4~70°C.
2. Do not hang heavy things on the product.
3. Remember to turn off the mixer when no water comes out of it, especially when nobody in the house or during the decoration period or power off.
4. Clean the surface of the product regularly to keep it bright.
Note: Please do not use inappropriate tools such as sharp brushes, rough sponges, scouring pads or corrosive detergent. And it is not recommend to use the detergent sold in the market, because its formula changes frequently. Please clean the product with wet cloth and soapy water after some time of usage. Then rinse the soap out with clean water and dry with a soft cotton cloth.
5. Adjust the temperature before use, then open the cold and hot water in turn. To avoid scald, do not stand right below the shower head.
6. Do not disassemble the product without help from the professionals.

IV Installation Steps (Fig.1~20): *The installation diagram is only for reference, the product is subject to the real object.

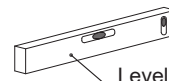
1

Prepare below tools



Drill

Safety Goggle



Level Bar

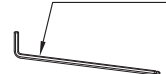


Phillips Screwdriver

S7 Wrench
(supplied)



S2.5 Wrench
(supplied)



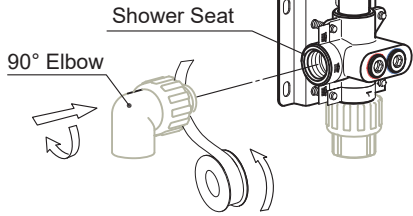
Pencil



Teflon Tape

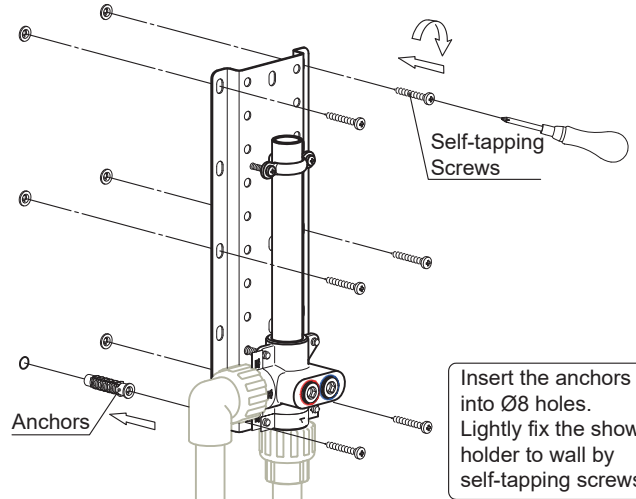


2



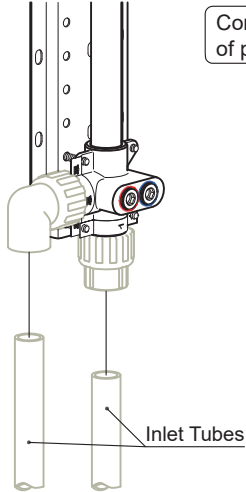
Wrap teflon tape around the 90° elbow. Then screw it into the shower holder.
Attention: keep two open ends face downwards.

6



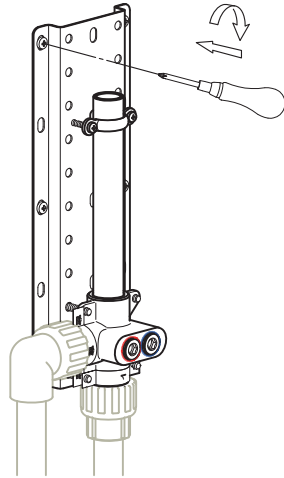
Insert the anchors into Ø8 holes. Lightly fix the shower holder to wall by self-tapping screws.

3



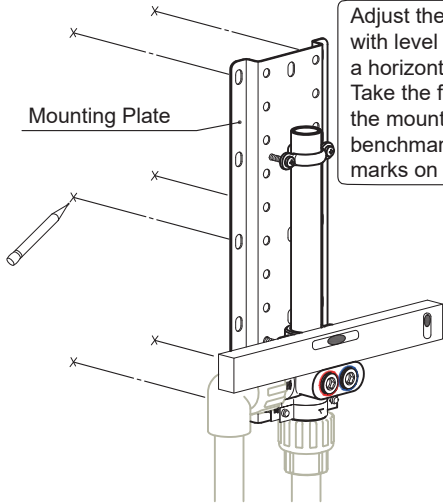
Connect the inlet tubes of proper length.

7



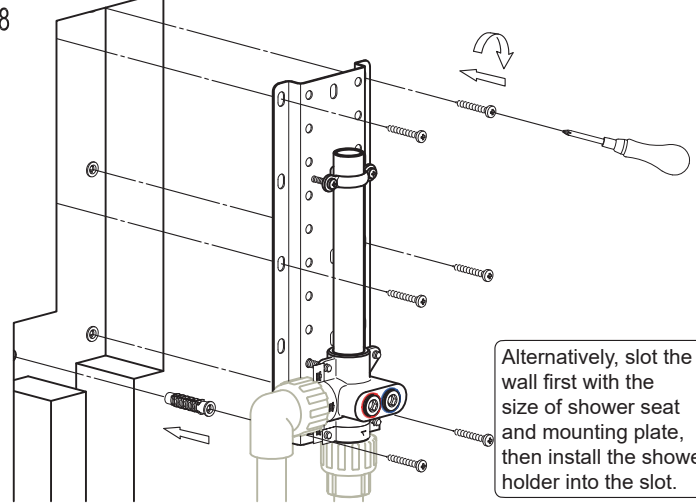
Adjust the shower seat with level bar, then tighten self-tapping screws.

4



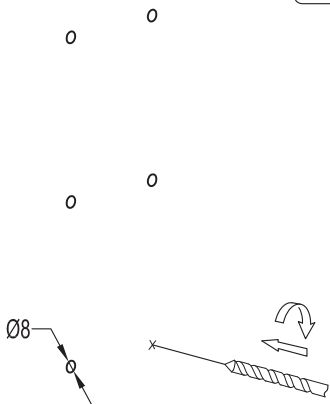
Adjust the shower seat with level bar to keep it in a horizontal position. Take the fixation holes on the mounting plate as benchmark to make marks on the wall.

8



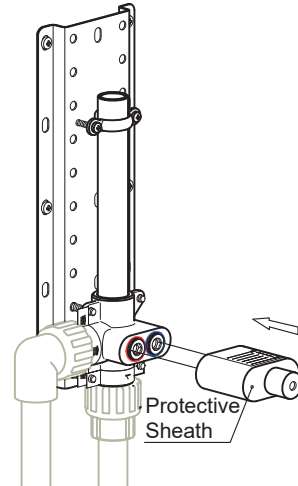
Alternatively, slot the wall first with the size of shower seat and mounting plate, then install the shower holder into the slot.

5



Drill six Ø8 holes at the marked positions.

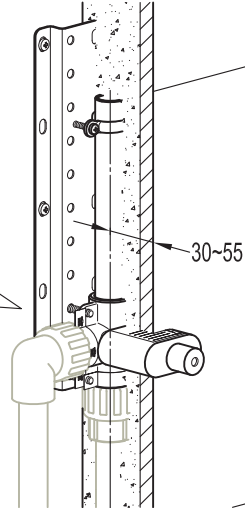
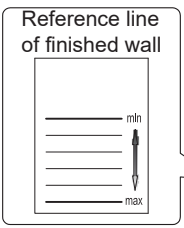
9



Turn on water to test pressure, check each joint, ensure there is no leakage. Then put on the protective sheath.



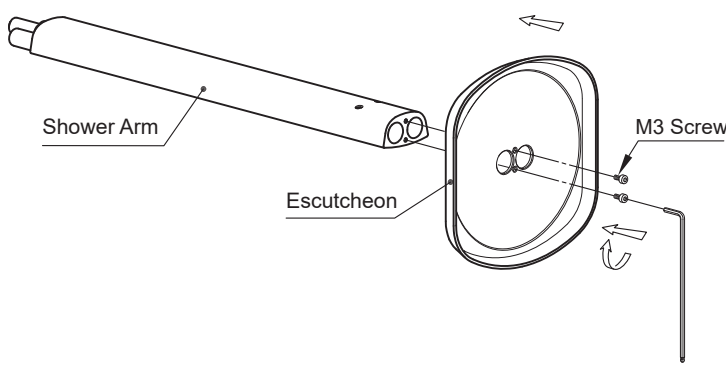
10



Cover the ceramic tiles on the wall, pay attention to the installation depth.

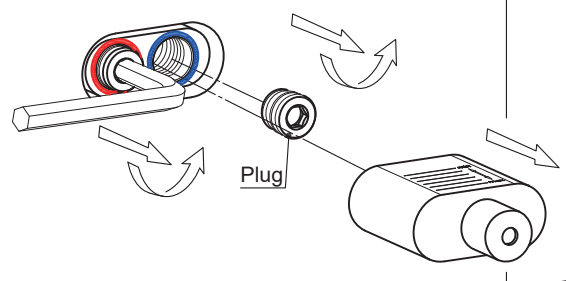
14

Install the escutcheon to the shower arm.



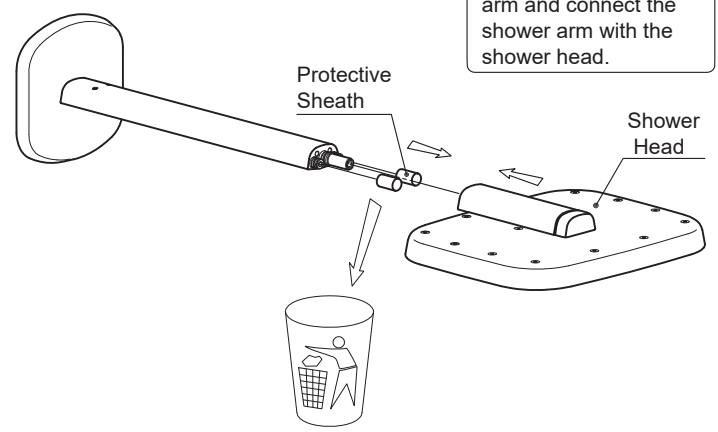
11

Take off the protective sheath and plug.



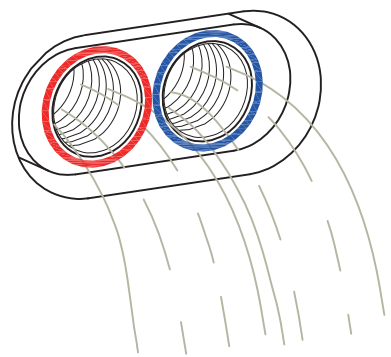
15

Remove the protective sheath from the shower arm and connect the shower arm with the shower head.



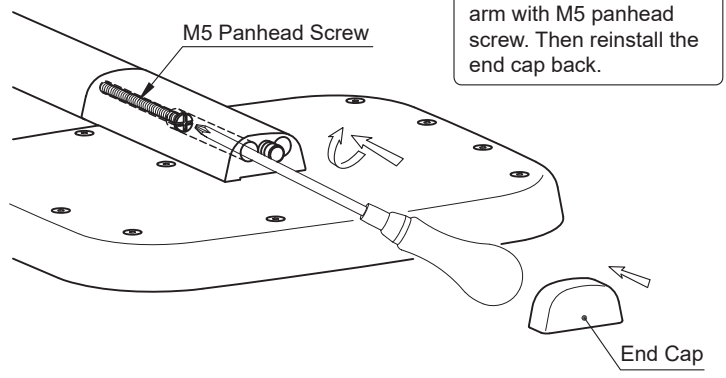
12

Flow water to clean the pipes.



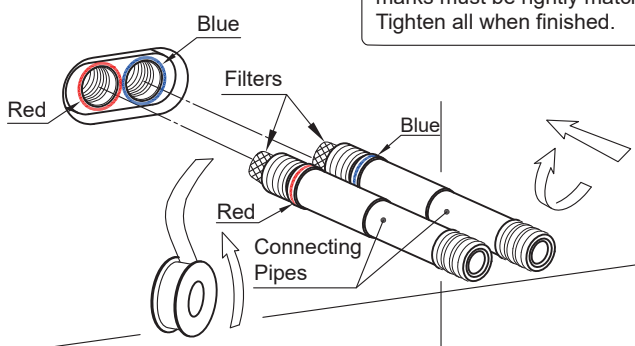
16

Take off the end cap (take care not to damage the shower body). Fix the shower head and shower arm with M5 panhead screw. Then reinstall the end cap back.



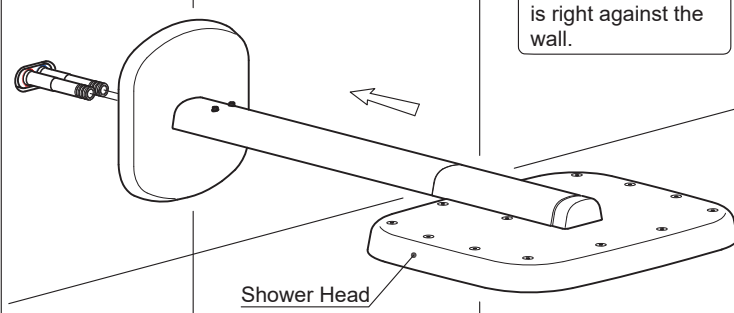
13

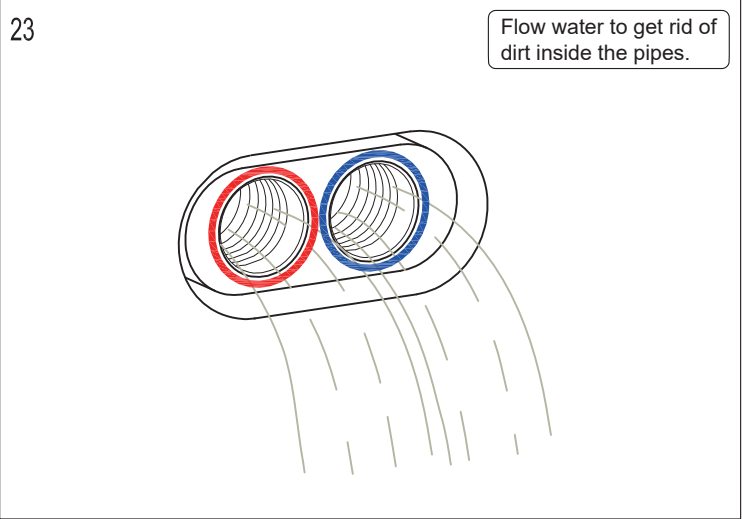
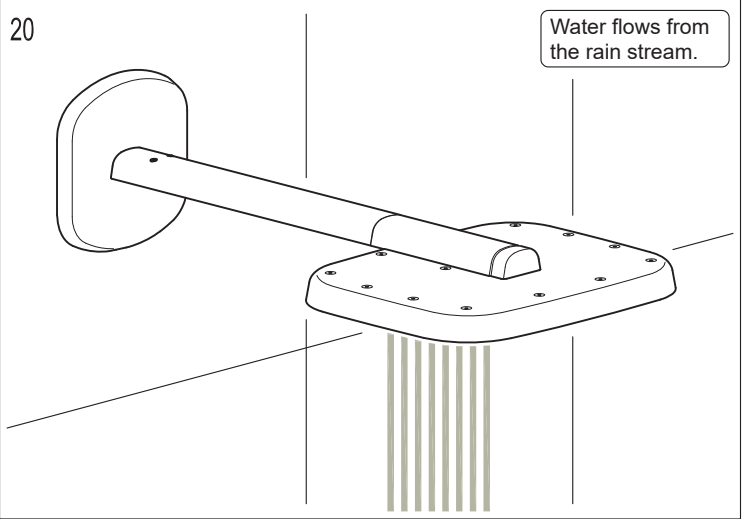
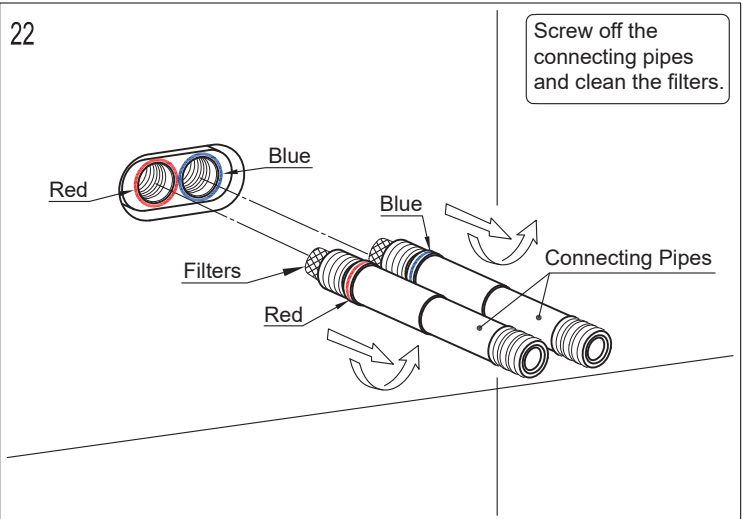
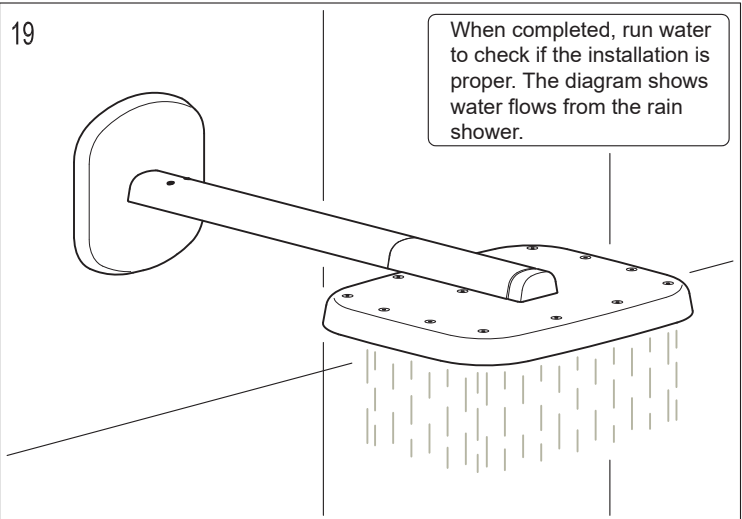
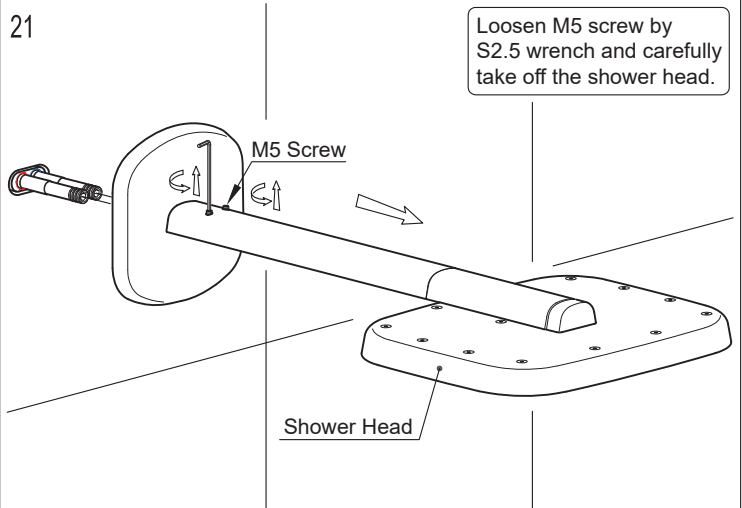
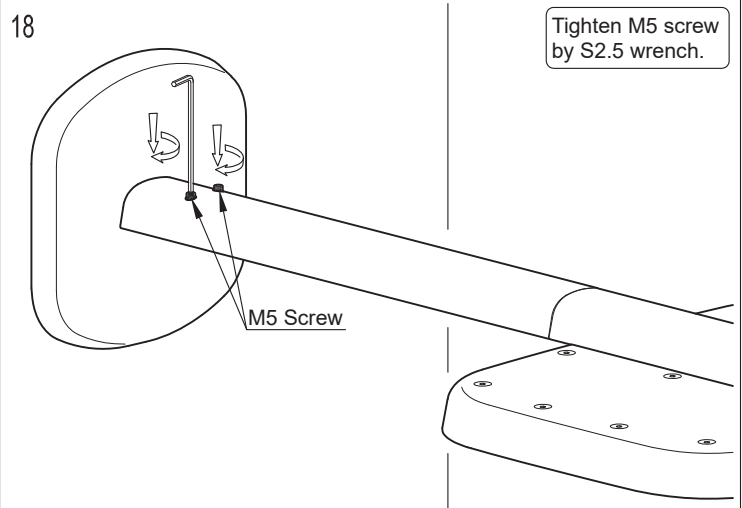
Wrap the teflon tape around two connecting pipes and screw them into the shower seat. Please be noted that the red and blue marks must be rightly matched. Tighten all when finished.



17

Put the shower head on the connecting pipes. Make sure it is right against the wall.





V. Maintenance (Diagram 21~24)

If flow rate is lessened after a period of usage, it is possibly because debris blocks the filters due to poor water quality. Cleaning method should be taken as followed. First, turn off the main valve. Take off the filters as shown in the Diagram 21 and 22. Use brush and vinegar to remove dirt and debris from the filters, and rinse with clean water. Then use flush water to get rid of dirt and debris in pipes (Diagram 23), and install the shower head back according to Diagram 13,17 and 18. Please be noted that the red and blue marks must be rightly matched.

If water flow from the rain shower becomes lessened or does not spray evenly, it might be debris blocking the outlet. Gently squeeze those rubber outlets on the shower head with fingers as shown in Diagram 24. Then wash debris out with running water.

